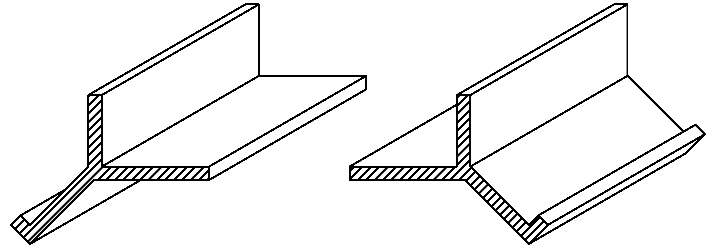
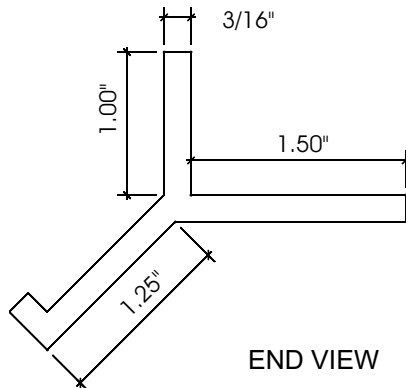


HEAVY DUTY CURB ANGLE



GUIDE SPECIFICATIONS

HEAVY DUTY CURB ANGLE made of extruded, U.V. stabilized, rigid PVC for 1.0" grate. A vertical depth of 1.0" and a horizontal width of 1-1/2" with a continuous angle that bonds into the concrete/gunite when it dries and requires no anchoring system. The PVC is corrosion resistant and non-conducting to provide long-lasting, stable support for the grate. The angle comes in 10' lengths.

COLORS: WHITE, BONE, SAND, TAN, GREY AND BLACK

